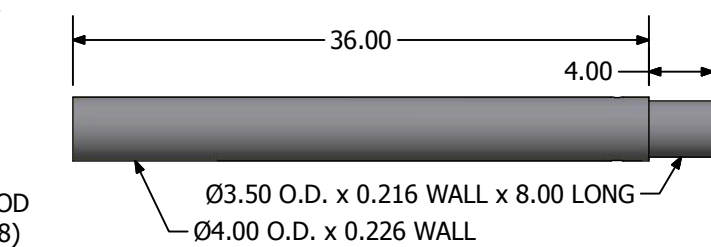


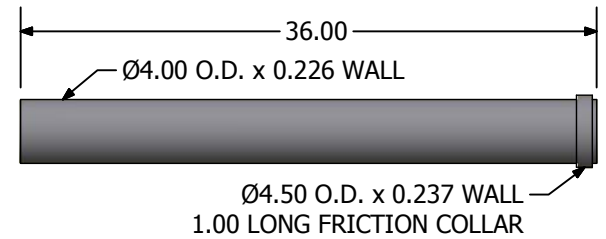
**PUSH PIER ASSEMBLY**

**PP400 Push Pier**

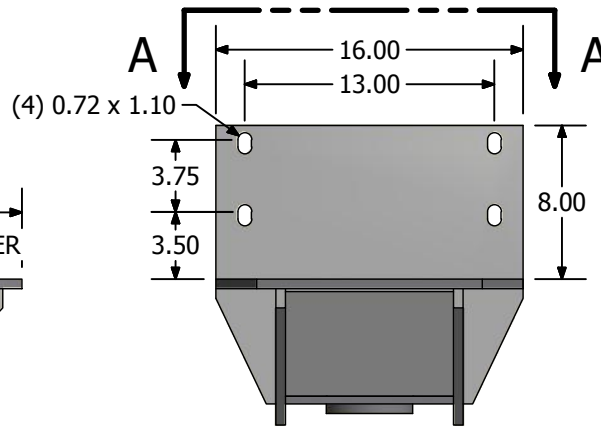
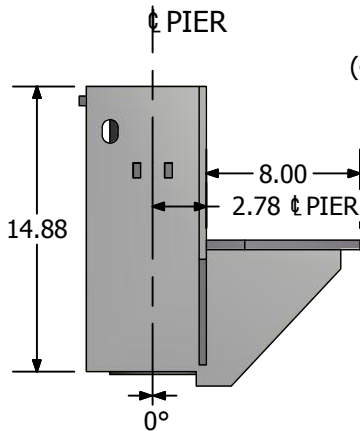
Product Number	Product Name
FS400BV	400 Bracket - Vertical
PP400T	Pier Tube - 36"
PP400ST	Starter Tube - 36"
FS400C	Pier Cap
HWTR-S210-Z-088-18	All Thread Rod - 18"
HWH8N-Z-088	Heavy Hex Nut - 7/8"



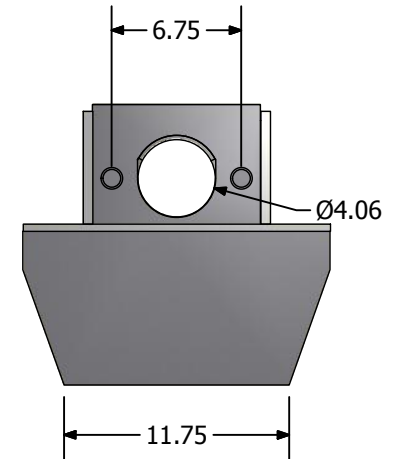
**PIER TUBE**



**STARTER TUBE**



**FS400BV**



**VIEW A-A**

**NOTES:**

- MINIMUM MATERIAL REQUIREMENTS:  
 PIER TUBE -  $F_y = 50$  ksi,  $F_u = 62$  ksi.  
 BRACKET - ASTM A36  
 PIER CAP - ASTM A572 Gr. 50  
 THREADED ROD -  $F_u = 125$  ksi.
- ALL WELDING TO BE IN ACCORDANCE WITH AWS D1.1 LATEST ISSUE WITH E70-XX MIN ELECTRODE.
- ALL COMPONENTS OFFERED PLAIN OR GALVANIZED.
- THIS DOCUMENT IS MEANT TO SERVE AS A GENERAL DESCRIPTION FOR THE PRODUCTS SHOWN FOR SUBMITTAL PURPOSES. MORE DETAILED MANUFACTURING DRAWINGS ARE AVAILABLE UPON REQUEST.

**FOUNDATION SUPPORTWORKS®**  
 12330 Cary Circle, Omaha, NE 68128  
 Phone: 800-281-8545

Part #: Date: 10/28/11  
**SD-PP-11003**  
 Title:  
 400 Push Pier Assembly  
 Revision: 0 Sheet: 1 of 1

All Dimensions Inches