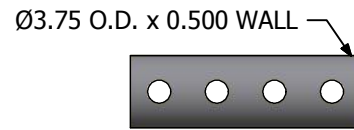
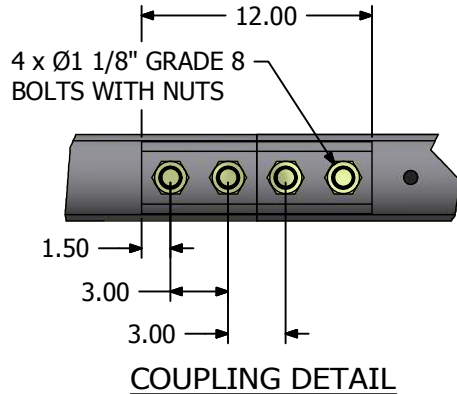
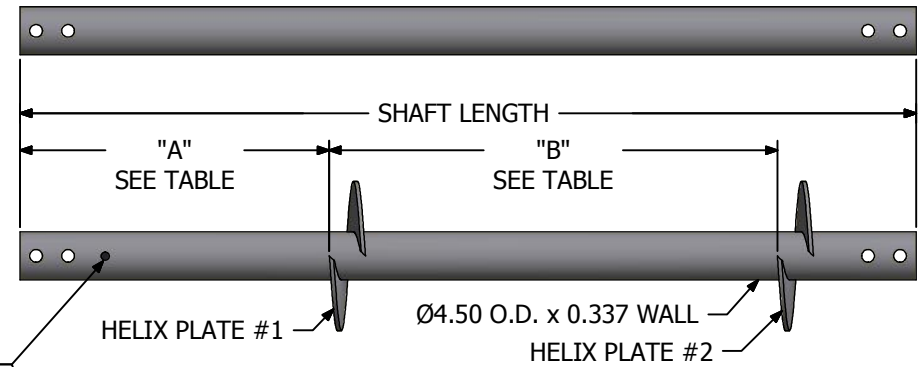


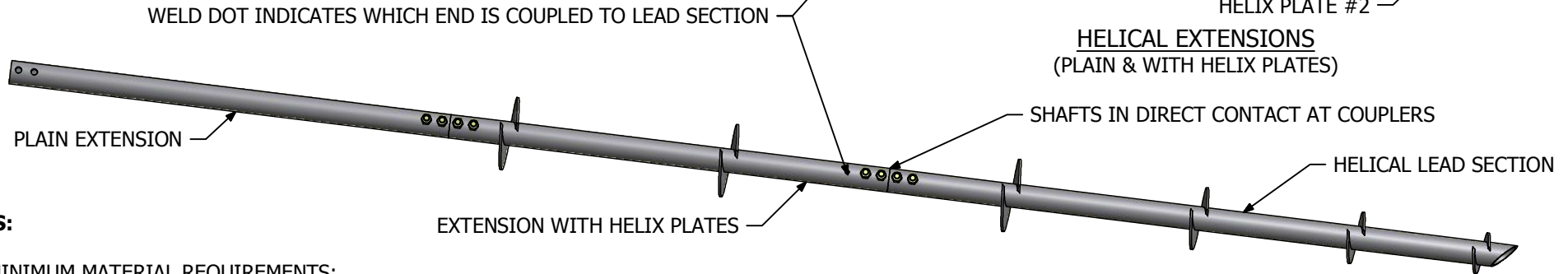
HELICAL LEAD SECTIONS



INTERNAL DETACHED COUPLER
PRODUCT NUMBER HP450DC



HELICAL EXTENSIONS
(PLAIN & WITH HELIX PLATES)



PILE ASSEMBLY

NOTES:

1. MINIMUM MATERIAL REQUIREMENTS:
SHAFT - $F_y = 50$ ksi, $F_u = 60$ ksi.
HELIX PLATES - 3/8" THICK, ASTM A572 Gr. 50
2. ALL WELDING TO BE IN ACCORDANCE WITH AWS D1.1 LATEST ISSUE WITH E70-XX MIN ELECTRODE.
3. HELIX PLATES HAVE A NOMINAL 3" PITCH WITH LEADING AND TRAILING EDGES BEING NO MORE THAN 1/4" OUT OF PARALLEL.
4. PRODUCT ALSO OFFERED GALVANIZED.
5. THIS DOCUMENT IS MEANT TO SERVE AS A GENERAL DESCRIPTION FOR THE PRODUCTS SHOWN FOR SUBMITTAL PURPOSES. MORE DETAILED MANUFACTURING DRAWINGS ARE AVAILABLE UPON REQUEST.

FOUNDATION
SUPPORTWORKS®

12330 Cary Circle, Omaha, NE 68128
Phone: 800-281-8545

All Dimensions Inches

Part #:

SD-HP-11005

Title:

HP450 Helical Pile Assembly

Revision: 1

Date: 10/25/11

Sheet: 1 of 2

HP450 HELICAL LEAD SECTIONS

PRODUCT NUMBER	TYP. STOCK ITEM	SHAFT LENGTH	HELIX PLATE #1 DIAMETER	HELIX PLATE #2 DIAMETER	HELIX PLATE #3 DIAMETER	HELIX PLATE #4 DIAMETER	"A" DIM ±0.13	"B" DIM ±0.13	"C" DIM ±0.13
HP450L0H8-3850		120.00	8.00	-	-	-	-	-	-
HP450L0H0-3850		120.00	10.00	-	-	-	-	-	-
HP450L0H2-3850		120.00	12.00	-	-	-	-	-	-
HP450L0H4-3850		120.00	14.00	-	-	-	-	-	-
HP450L0H80-3850		120.00	8.00	10.00	-	-	24.00	-	-
HP450L0H02-3850		120.00	10.00	12.00	-	-	30.00	-	-
HP450L0H24-3850	✓	120.00	12.00	14.00	-	-	36.00	-	-
HP450L0H802-3850		120.00	8.00	10.00	12.00	-	24.00	30.00	-
HP450L0H024-3850		120.00	10.00	12.00	14.00	-	30.00	36.00	-
HP450L0H8024-3850		120.00	8.00	10.00	12.00	14.00	24.00	30.00	36.00
HP450L0H0244-3850		120.00	10.00	12.00	14.00	14.00	30.00	33.00	39.00
HP450L7H8-3850		84.00	8.00	-	-	-	-	-	-
HP450L7H0-3850		84.00	10.00	-	-	-	-	-	-
HP450L7H2-3850		84.00	12.00	-	-	-	-	-	-
HP450L7H4-3850		84.00	14.00	-	-	-	-	-	-
HP450L7H80-3850		84.00	8.00	10.00	-	-	24.00	-	-
HP450L7H02-3850		84.00	10.00	12.00	-	-	30.00	-	-
HP450L7H24-3850		84.00	12.00	14.00	-	-	36.00	-	-
HP450L7H802-3850		84.00	8.00	10.00	12.00	-	24.00	30.00	-
HP450L7H024-3850	✓	84.00	10.00	12.00	14.00	-	30.00	36.00	-
HP450L5H8-3850		60.00	8.00	-	-	-	-	-	-
HP450L5H0-3850		60.00	10.00	-	-	-	-	-	-
HP450L5H2-3850		60.00	12.00	-	-	-	-	-	-
HP450L5H4-3850		60.00	14.00	-	-	-	-	-	-
HP450L5H80-3850		60.00	8.00	10.00	-	-	24.00	-	-
HP450L5H02-3850		60.00	10.00	12.00	-	-	30.00	-	-
HP450L5H24-3850		60.00	12.00	14.00	-	-	36.00	-	-

HP450 HELICAL LEAD SECTIONS

HP450 HELICAL EXTENSIONS

PRODUCT NUMBER	TYP. STOCK ITEM	SHAFT LENGTH	HELIX PLATE #1 DIAMETER	HELIX PLATE #2 DIAMETER	"A" DIM ±0.13	"B" DIM ±0.13
HP450E0	✓	120.00	-	-	-	-
HP450E0H4-3850		120.00	14.00	-	29.00	-
HP450E0H44-3850		120.00	14.00	14.00	29.00	42.00
HP450E7	✓	84.00	-	-	-	-
HP450E7H44-3850		84.00	14.00	14.00	29.00	42.00
HP450E5	✓	60.00	-	-	-	-
HP450E3		36.00	-	-	-	-

HP450 HELICAL EXTENSIONS



12330 Cary Circle, Omaha, NE 68128
Phone: 800-281-8545

All Dimensions Inches

Part #: Date: 10/25/11

SD-HP-11005

Title:
HP450 Helical Pile Assembly

Revision: 1

Sheet: 2 of 2