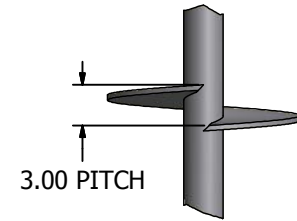
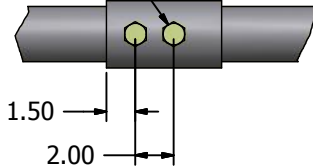


HELICAL LEAD SECTIONS

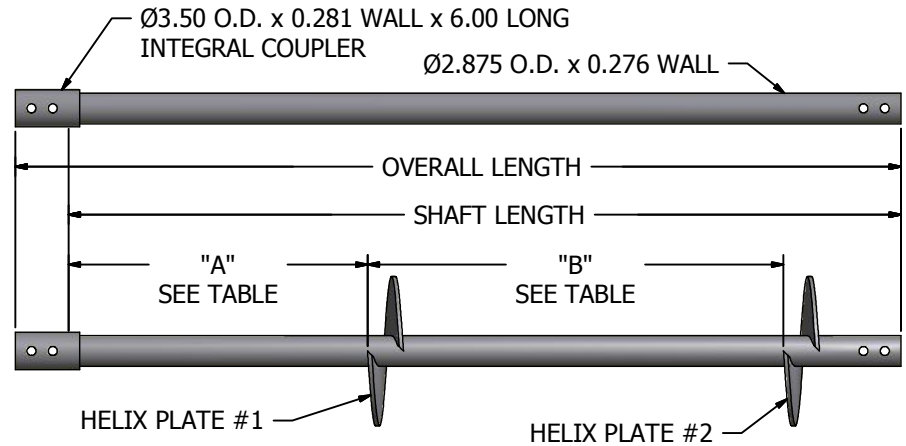


HELIX PLATE

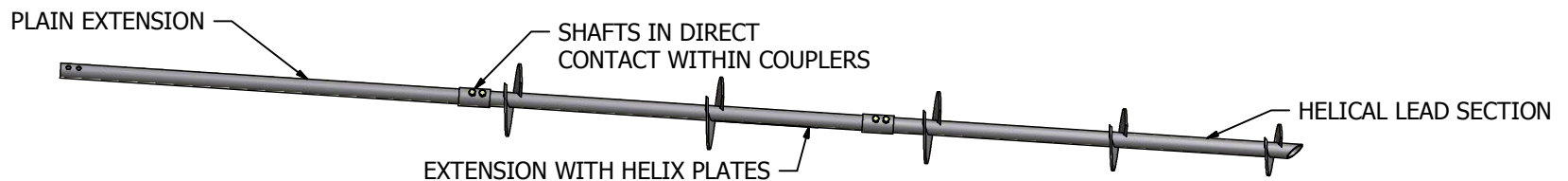
2 x Ø0.75 GRADE 8 BOLTS WITH NUTS



COUPLING DETAIL



**HELICAL EXTENSIONS
(PLAIN & WITH HELIX PLATES)**



PILE ASSEMBLY

NOTES:

1. MINIMUM MATERIAL REQUIREMENTS:
SHAFT - $F_y = 60$ ksi, $F_u = 70$ ksi.
HELIX PLATES - 3/8" THICK, ASTM A572 Gr. 50
2. ALL WELDING TO BE IN ACCORDANCE WITH AWS D1.1 LATEST ISSUE WITH E70-XX MIN ELECTRODE.
3. HELIX PLATES HAVE A NOMINAL 3" PITCH WITH LEADING AND TRAILING EDGES BEING NO MORE THAN 1/4" OUT OF PARALLEL.
4. PRODUCT ALSO OFFERED GALVANIZED.
5. THIS DOCUMENT IS MEANT TO SERVE AS A GENERAL DESCRIPTION FOR THE PRODUCTS SHOWN FOR SUBMITTAL PURPOSES. MORE DETAILED MANUFACTURING DRAWINGS ARE AVAILABLE UPON REQUEST.

FOUNDATION SUPPORTWORKS®

12330 Cary Circle, Omaha, NE 68128
Phone: 800-281-8545

All Dimensions Inches

Part #:

Date: 10/25/11

SD-HP-11002

Title:

HP288 Helical Pile Assembly

Revision: 1

Sheet: 1 of 2

HP288 HELICAL LEAD SECTIONS

| PRODUCT NUMBER | TYP. STOCK ITEM | SHAFT LENGTH | HELIX PLATE #1 DIAMETER | HELIX PLATE #2 DIAMETER | HELIX PLATE #3 DIAMETER | HELIX PLATE #4 DIAMETER | "A" DIM ±0.13 | "B" DIM ±0.13 | "C" DIM ±0.13 |
|-------------------|-----------------|--------------|-------------------------|-------------------------|-------------------------|-------------------------|---------------|---------------|---------------|
| HP288L0H8-3850 | | 120.00 | 8.00 | - | - | - | - | - | - |
| HP288L0H0-3850 | | 120.00 | 10.00 | - | - | - | - | - | - |
| HP288L0H2-3850 | | 120.00 | 12.00 | - | - | - | - | - | - |
| HP288L0H4-3850 | | 120.00 | 14.00 | - | - | - | - | - | - |
| HP288L0H80-3850 | | 120.00 | 8.00 | 10.00 | - | - | 24.00 | - | - |
| HP288L0H02-3850 | | 120.00 | 10.00 | 12.00 | - | - | 30.00 | - | - |
| HP288L0H24-3850 | | 120.00 | 12.00 | 14.00 | - | - | 36.00 | - | - |
| HP288L0H802-3850 | | 120.00 | 8.00 | 10.00 | 12.00 | - | 24.00 | 30.00 | - |
| HP288L0H024-3850 | | 120.00 | 10.00 | 12.00 | 14.00 | - | 30.00 | 36.00 | - |
| HP288L0H8024-3850 | | 120.00 | 8.00 | 10.00 | 12.00 | 14.00 | 24.00 | 30.00 | 36.00 |
| HP288L0H0244-3850 | | 120.00 | 10.00 | 12.00 | 14.00 | 14.00 | 30.00 | 36.00 | 39.00 |
| HP288L7H8-3850 | ✓ | 84.00 | 8.00 | - | - | - | - | - | - |
| HP288L7H0-3850 | ✓ | 84.00 | 10.00 | - | - | - | - | - | - |
| HP288L7H2-3850 | ✓ | 84.00 | 12.00 | - | - | - | - | - | - |
| HP288L7H4-3850 | | 84.00 | 14.00 | - | - | - | - | - | - |
| HP288L7H80-3850 | ✓ | 84.00 | 8.00 | 10.00 | - | - | 24.00 | - | - |
| HP288L7H02-3850 | ✓ | 84.00 | 10.00 | 12.00 | - | - | 30.00 | - | - |
| HP288L7H24-3850 | ✓ | 84.00 | 12.00 | 14.00 | - | - | 36.00 | - | - |
| HP288L7H802-3850 | ✓ | 84.00 | 8.00 | 10.00 | 12.00 | - | 24.00 | 30.00 | - |
| HP288L7H024-3850 | ✓ | 84.00 | 10.00 | 12.00 | 14.00 | - | 30.00 | 36.00 | - |
| HP288L5H8-3850 | ✓ | 60.00 | 8.00 | - | - | - | - | - | - |
| HP288L5H0-3850 | ✓ | 60.00 | 10.00 | - | - | - | - | - | - |
| HP288L5H2-3850 | ✓ | 60.00 | 12.00 | - | - | - | - | - | - |
| HP288L5H4-3850 | | 60.00 | 14.00 | - | - | - | - | - | - |
| HP288L5H80-3850 | ✓ | 60.00 | 8.00 | 10.00 | - | - | 24.00 | - | - |
| HP288L5H02-3850 | ✓ | 60.00 | 10.00 | 12.00 | - | - | 30.00 | - | - |
| HP288L5H24-3850 | ✓ | 60.00 | 12.00 | 14.00 | - | - | 36.00 | - | - |

HP288 HELICAL LEAD SECTIONS

HP288 HELICAL EXTENSIONS

| PRODUCT NUMBER | TYP. STOCK ITEM | SHAFT LENGTH | OVERALL LENGTH ±0.13 | HELIX PLATE #1 DIAMETER | HELIX PLATE #2 DIAMETER | "A" DIM ±0.13 | "B" DIM ±0.13 |
|-----------------|-----------------|--------------|----------------------|-------------------------|-------------------------|---------------|---------------|
| HP288E0 | ✓ | 114.00 | 119.00 | - | - | - | - |
| HP288E0H4-3850 | | 114.00 | 119.00 | 14.00 | - | 28.00 | - |
| HP288E0H44-3850 | | 114.00 | 119.00 | 14.00 | 14.00 | 28.00 | 42.00 |
| HP288E7 | ✓ | 78.00 | 83.00 | - | - | - | - |
| HP288E7H4-3850 | | 78.00 | 83.00 | 14.00 | - | 28.00 | - |
| HP288E7H44-3850 | ✓ | 78.00 | 83.00 | 14.00 | 14.00 | 28.00 | 39.00 |
| HP288E5 | ✓ | 54.00 | 59.00 | - | - | - | - |
| HP288E5H4-3850 | ✓ | 54.00 | 59.00 | 14.00 | - | 28.00 | - |
| HP288E4H4-3850 | | 42.00 | 47.00 | 14.00 | - | 10.00 | - |
| HP288E3 | ✓ | 30.00 | 35.00 | - | - | - | - |
| HP288E2H4-3850 | | 18.00 | 23.00 | 14.00 | - | 4.00 | - |

HP288 HELICAL EXTENSIONS

FOUNDATION SUPPORTWORKS®

12330 Cary Circle, Omaha, NE 68128
Phone: 800-281-8545

All Dimensions Inches

Part #: **SD-HP-11002** Date: 10/25/11

Title: **HP288 Helical Pile Assembly**

Revision: 1 Sheet: 2 of 2