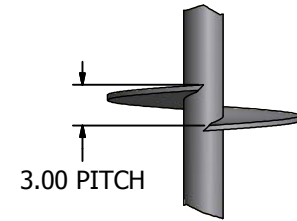
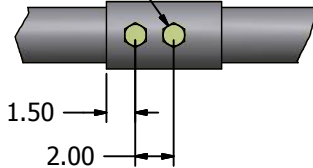


HELICAL LEAD SECTIONS

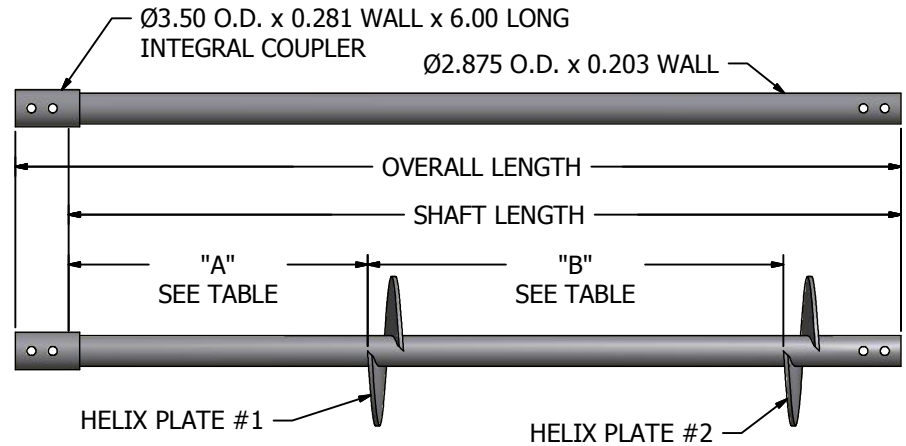


HELIX PLATE

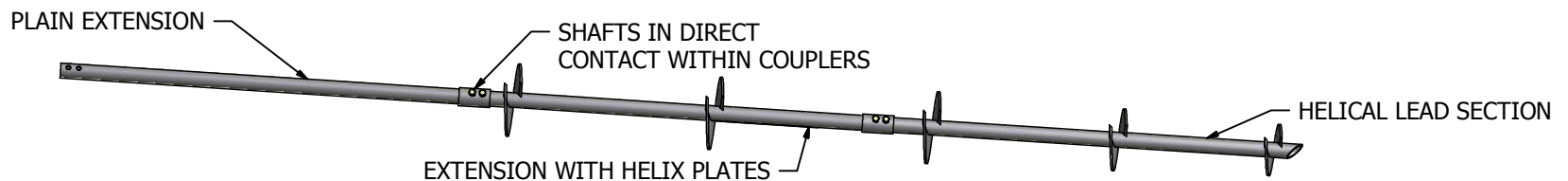
2 x Ø0.75 GRADE 8  
BOLTS WITH NUTS



COUPLING DETAIL



HELICAL EXTENSIONS  
(PLAIN & WITH HELIX PLATES)



PILE ASSEMBLY

**NOTES:**

1. MINIMUM MATERIAL REQUIREMENTS:  
SHAFT -  $F_y = 60$  ksi,  $F_u = 70$  ksi.  
HELIX PLATES - 3/8" THICK, ASTM A572 Gr. 50
2. ALL WELDING TO BE IN ACCORDANCE WITH AWS D1.1 LATEST ISSUE WITH E70-XX MIN ELECTRODE.
3. HELIX PLATES HAVE A NOMINAL 3" PITCH WITH LEADING AND TRAILING EDGES BEING NO MORE THAN 1/4" OUT OF PARALLEL.
4. PRODUCT ALSO OFFERED GALVANIZED.
5. THIS DOCUMENT IS MEANT TO SERVE AS A GENERAL DESCRIPTION FOR THE PRODUCTS SHOWN FOR SUBMITTAL PURPOSES. MORE DETAILED MANUFACTURING DRAWINGS ARE AVAILABLE UPON REQUEST.

FOUNDATION  
**SUPPORTWORKS**®

12330 Cary Circle, Omaha, NE 68128  
Phone: 800-281-8545

All Dimensions Inches

Part #:

Date: 10/25/11

**SD-HP-11001**

Title:

HP287 Helical Pile Assembly

Revision: 1

Sheet: 1 of 2

HP287 HELICAL LEAD SECTIONS

PRODUCT NUMBER	TYP. STOCK ITEM	SHAFT LENGTH	HELIX PLATE #1 DIAMETER	HELIX PLATE #2 DIAMETER	HELIX PLATE #3 DIAMETER	HELIX PLATE #4 DIAMETER	"A" DIM ±0.13	"B" DIM ±0.13	"C" DIM ±0.13
HP287L0H8-3850		120.00	8.00	-	-	-	-	-	-
HP287L0H0-3850		120.00	10.00	-	-	-	-	-	-
HP287L0H2-3850		120.00	12.00	-	-	-	-	-	-
HP287L0H4-3850		120.00	14.00	-	-	-	-	-	-
HP287L0H80-3850		120.00	8.00	10.00	-	-	24.00	-	-
HP287L0H02-3850		120.00	10.00	12.00	-	-	30.00	-	-
HP287L0H24-3850		120.00	12.00	14.00	-	-	36.00	-	-
HP287L0H802-3850		120.00	8.00	10.00	12.00	-	24.00	30.00	-
HP287L0H024-3850		120.00	10.00	12.00	14.00	-	30.00	36.00	-
HP287L0H8024-3850		120.00	8.00	10.00	12.00	14.00	24.00	30.00	36.00
HP287L0H0244-3850		120.00	10.00	12.00	14.00	14.00	30.00	36.00	39.00
HP287L7H8-3850		84.00	8.00	-	-	-	-	-	-
HP287L7H0-3850	✓	84.00	10.00	-	-	-	-	-	-
HP287L7H2-3850	✓	84.00	12.00	-	-	-	-	-	-
HP287L7H4-3850		84.00	14.00	-	-	-	-	-	-
HP287L7H80-3850	✓	84.00	8.00	10.00	-	-	24.00	-	-
HP287L7H02-3850	✓	84.00	10.00	12.00	-	-	30.00	-	-
HP287L7H24-3850		84.00	12.00	14.00	-	-	36.00	-	-
HP287L7H802-3850	✓	84.00	8.00	10.00	12.00	-	24.00	30.00	-
HP287L7H024-3850	✓	84.00	10.00	12.00	14.00	-	30.00	36.00	-
HP287L5H8-3850		60.00	8.00	-	-	-	-	-	-
HP287L5H0-3850		60.00	10.00	-	-	-	-	-	-
HP287L5H2-3850	✓	60.00	12.00	-	-	-	-	-	-
HP287L5H4-3850		60.00	14.00	-	-	-	-	-	-
HP287L5H80-3850	✓	60.00	8.00	10.00	-	-	24.00	-	-
HP287L5H02-3850	✓	60.00	10.00	12.00	-	-	30.00	-	-
HP287L5H24-3850		60.00	12.00	14.00	-	-	36.00	-	-

HP287 HELICAL LEAD SECTIONS

HP287 HELICAL EXTENSIONS

PRODUCT NUMBER	TYP. STOCK ITEM	SHAFT LENGTH	OVERALL LENGTH ±0.13	HELIX PLATE #1 DIAMETER	HELIX PLATE #2 DIAMETER	"A" DIM ±0.13	"B" DIM ±0.13
HP287E0	✓	114.00	119.00	-	-	-	-
HP287E0H4-3850		114.00	119.00	14.00	-	28.00	-
HP287E0H44-3850		114.00	119.00	14.00	14.00	28.00	42.00
HP287E7	✓	78.00	83.00	-	-	-	-
HP287E7H4-3850		78.00	83.00	14.00	-	28.00	-
HP287E7H44-3850	✓	78.00	83.00	14.00	14.00	28.00	39.00
HP287E5	✓	54.00	59.00	-	-	-	-
HP287E5H4-3850	✓	54.00	59.00	14.00	-	28.00	-
HP287E4H4-3850		42.00	47.00	14.00	-	10.00	-
HP287E3	✓	30.00	35.00	-	-	-	-
HP287E2H4-3850		18.00	23.00	14.00	-	4.00	-

HP287 HELICAL EXTENSIONS

**FOUNDATION SUPPORTWORKS®**

12330 Cary Circle, Omaha, NE 68128  
Phone: 800-281-8545

All Dimensions Inches

Part #: Date: 10/25/11

**SD-HP-11001**

Title: HP287 Helical Pile Assembly

Revision: 1 Sheet: 2 of 2