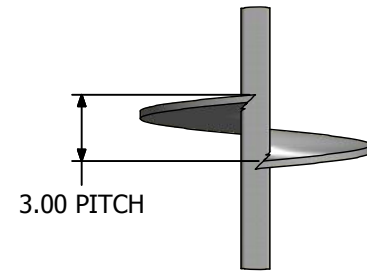
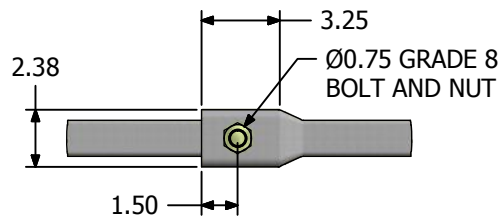


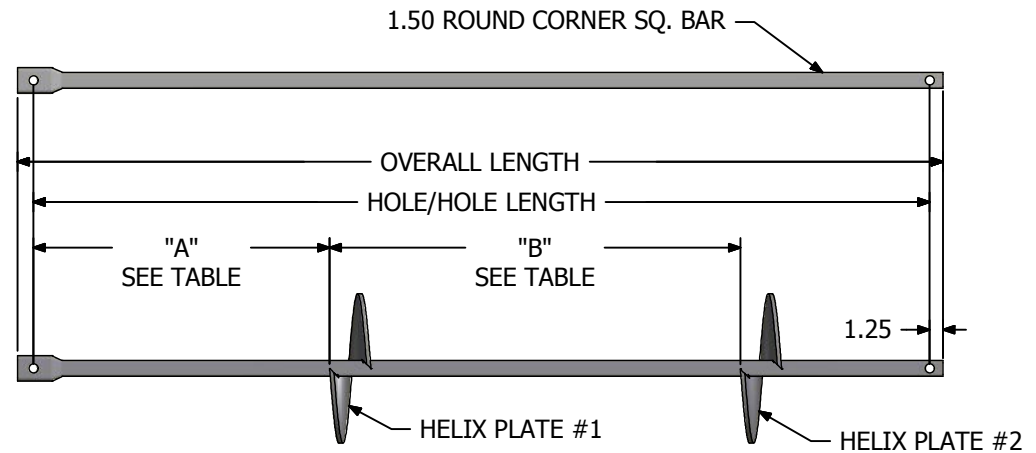
HELICAL LEAD SECTIONS



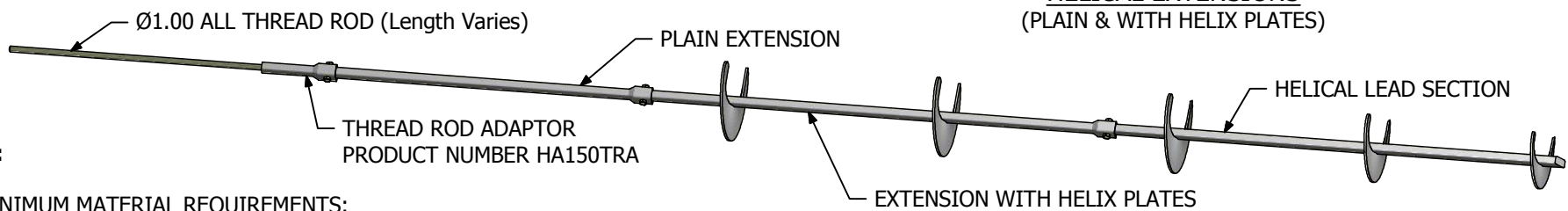
HELIX PLATE



COUPLING DETAIL



**HELICAL EXTENSIONS
(PLAIN & WITH HELIX PLATES)**



ANCHOR ASSEMBLY

NOTES:

1. MINIMUM MATERIAL REQUIREMENTS:
 SHAFT - $F_y = 90$ ksi, $F_u = 115$ ksi.
 HELIX PLATES - 3/8" THICK, ASTM A36
 ALL THREAD ROD - $F_u = 120$ ksi.
2. ALL WELDING TO BE IN ACCORDANCE WITH AWS D1.1 LATEST ISSUE WITH E70-XX MIN ELECTRODE.
3. HELIX PLATES HAVE A NOMINAL 3" PITCH WITH LEADING AND TRAILING EDGES BEING NO MORE THAN 1/4" OUT OF PARALLEL.
4. PRODUCT ALSO OFFERED GALVANIZED.
5. THIS DOCUMENT IS MEANT TO SERVE AS A GENERAL DESCRIPTION FOR THE PRODUCTS SHOWN FOR SUBMITTAL PURPOSES. MORE DETAILED MANUFACTURING DRAWINGS ARE AVAILABLE UPON REQUEST.

FOUNDATION
SUPPORTWORKS[®]

12330 Cary Circle, Omaha, NE 68128
 Phone: 800-281-8545

All Dimensions Inches

Part #: _____ Date: 10/18/11
SD-HA-11001
 Title:
HA150 Helical Anchor Assembly
 Revision: 0 Sheet: 1 of 2

HA150 HELICAL LEADS

PRODUCT NUMBER	TYP. STOCK ITEM	SHAFT LENGTH ±0.13	HELIX PLATE #1 DIAMETER	HELIX PLATE #2 DIAMETER	HELIX PLATE #3 DIAMETER	"A" DIM ±0.13	"B" DIM ±0.13
HA150L7H8-3836		84.00	8.00	-	-	-	-
HA150L7H0-3836		84.00	10.00	-	-	-	-
HA150L7H2-3836		84.00	12.00	-	-	-	-
HA150L7H4-3836		84.00	14.00	-	-	-	-
HA150L7H80-3836	✓	84.00	8.00	10.00	-	24.00	-
HA150L7H02-3836	✓	84.00	10.00	12.00	-	30.00	-
HA150L7H24-3836		84.00	12.00	14.00	-	36.00	-
HA150L7H802-3836	✓	84.00	8.00	10.00	12.00	24.00	30.00
HA150L7H024-3836	✓	84.00	10.00	12.00	14.00	30.00	36.00
HA150L5H8-3836	✓	60.00	8.00	-	-	-	-
HA150L5H0-3836		60.00	10.00	-	-	-	-
HA150L5H2-3836	✓	60.00	12.00	-	-	-	-
HA150L5H4-3836		60.00	14.00	-	-	-	-
HA150L5H80-3836		60.00	8.00	10.00	-	24.00	-
HA150L5H02-3836	✓	60.00	10.00	12.00	-	30.00	-
HA150L5H24-3836	✓	60.00	12.00	14.00	-	36.00	-
HA150L1H8-3836	✓	12.00	8.00	-	-	-	-
HA150L1H0-3836		12.00	10.00	-	-	-	-
HA150L1H2-3836		12.00	12.00	-	-	-	-
HA150L1H4-3836	✓	12.00	14.00	-	-	-	-

HA150 HELICAL LEADS

HA150 HELICAL EXTENSIONS

PRODUCT NUMBER	TYP. STOCK ITEM	OVERALL LENGTH ±0.13	HOLE/HOLE LENGTH ±0.13	HELIX PLATE #1 DIAMETER	HELIX PLATE #2 DIAMETER	"A" DIM ±0.13	"B" DIM ±0.13
HA150E0	✓	122.75	120.00	-	-	-	-
HA150E7	✓	86.75	84.00	-	-	-	-
HA150E7H44-3850	✓	86.75	84.00	14.00	14.00	27.75	42.00
HA150E5	✓	62.75	60.00	-	-	-	-
HA150E3	✓	38.75	36.00	-	-	-	-
HA150E3H4-3850	✓	38.75	36.00	14.00	-	27.75	-

HA150 HELICAL EXTENSIONS



12330 Cary Circle, Omaha, NE 68128
Phone: 800-281-8545

All Dimensions Inches

Part #:

Date: 10/18/11

SD-HA-11001

Title:

HA150 Helical Anchor Assembly

Revision: 0

Sheet: 2 of 2