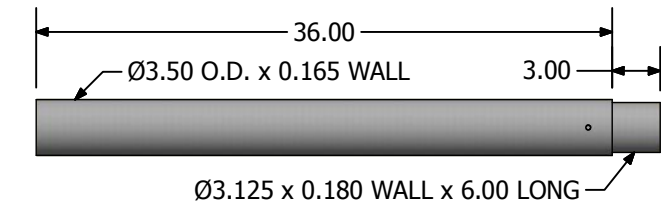


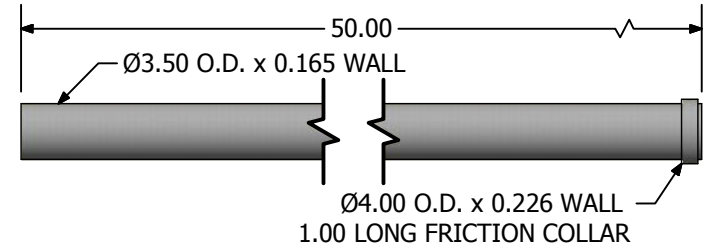
PUSH PIER ASSEMBLY

PP350 Push Pier

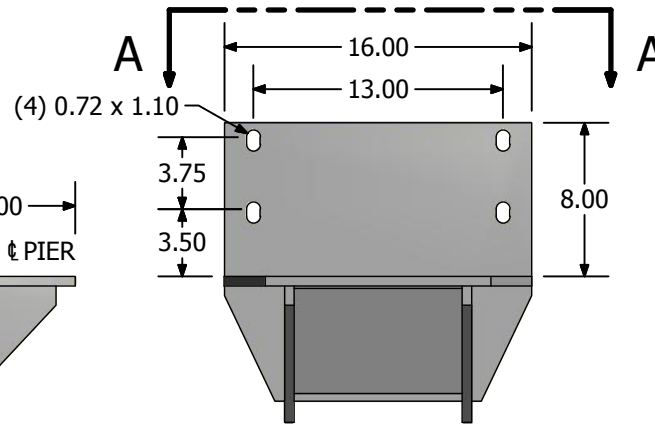
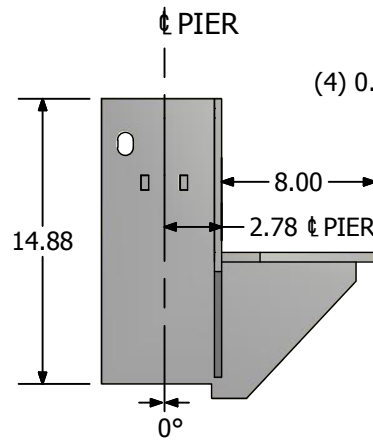
Product Number	Product Name
FS350BV	350 Bracket - Vertical
FS350ES48	External Sleeve - 48"
FS350ES30	External Sleeve - 30"
PP350T	Pier Tube - 36"
PP350ST	Starter Tube - 50"
FS350C	Pier Cap
HWTR-S210-Z-088-18	All Thread Rod - 18"
HWH8N-Z-088	Heavy Hex Nut - 7/8"



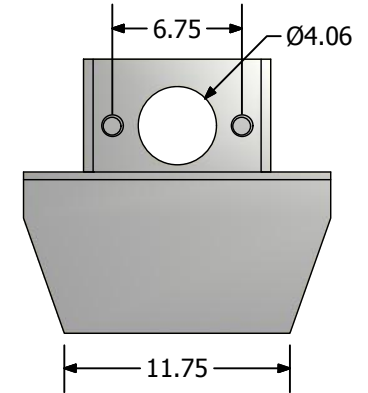
PIER TUBE



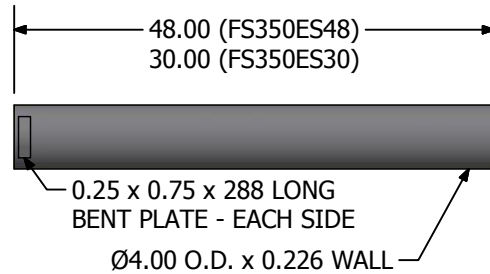
STARTER TUBE



FS350BV



VIEW A-A



EXTERNAL SLEEVES

NOTES:

- MINIMUM MATERIAL REQUIREMENTS:
 PIER TUBE - $F_y = 50$ ksi, $F_u = 55$ ksi.
 BRACKET - ASTM A36
 PIER CAP - ASTM A572 Gr. 50
 EXTERNAL SLEEVE - $F_y = 50$ ksi, $F_u = 62$ ksi.
 THREADED ROD - $F_u = 125$ ksi
- ALL WELDING TO BE IN ACCORDANCE WITH AWS D1.1 LATEST ISSUE WITH E70-XX MIN ELECTRODE.
- PIER TUBE SECTIONS ARE TRIPLE COATED IN LINE GALVANIZED. ALL OTHER COMPONENTS OFFERED PLAIN OR GALVANIZED.
- THIS DOCUMENT IS MEANT TO SERVE AS A GENERAL DESCRIPTION FOR THE PRODUCTS SHOWN FOR SUBMITTAL PURPOSES. MORE DETAILED MANUFACTURING DRAWINGS ARE AVAILABLE UPON REQUEST.



12330 Cary Circle, Omaha, NE 68128
 Phone: 800-281-8545

All Dimensions Inches

Part #: Date: 10/28/11

SD-PP-11002

Title:
350 Push Pier Assembly

Revision: 0

Sheet: 1 of 1