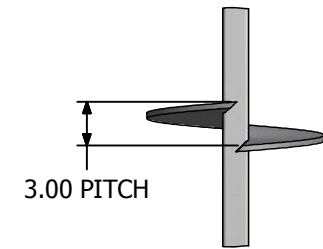
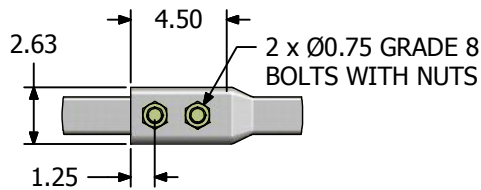


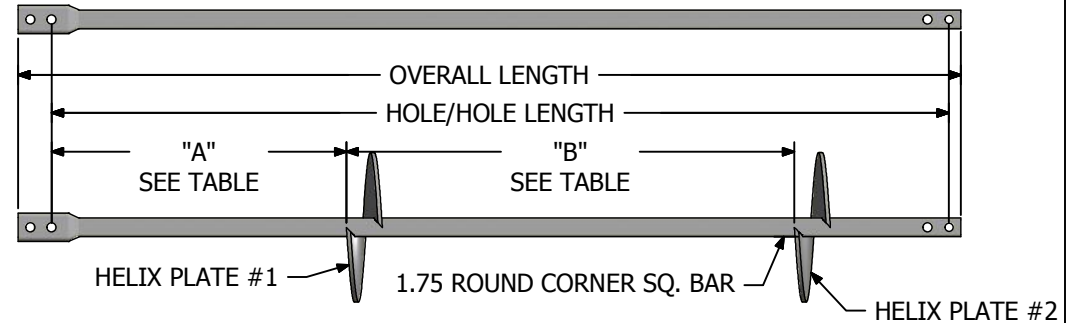
HELICAL LEAD SECTIONS



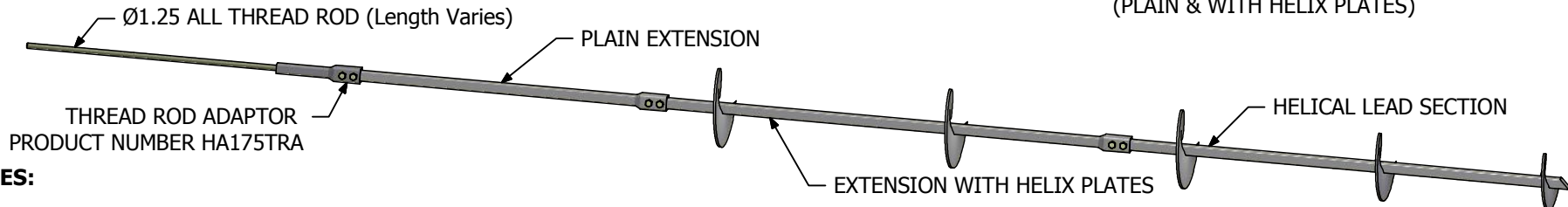
HELIX PLATE



COUPLING DETAIL



**HELICAL EXTENSIONS
(PLAIN & WITH HELIX PLATES)**



ANCHOR ASSEMBLY

NOTES:

1. MINIMUM MATERIAL REQUIREMENTS:
 SHAFT - $F_y = 90$ ksi, $F_u = 115$ ksi.
 HELIX PLATES - 3/8" THICK, ASTM A572 Gr. 50
 ALL THREAD ROD - $F_u = 120$ ksi.
2. ALL WELDING TO BE IN ACCORDANCE WITH AWS D1.1 LATEST ISSUE WITH E70-XX MIN ELECTRODE.
3. HELIX PLATES HAVE A NOMINAL 3" PITCH WITH LEADING AND TRAILING EDGES BEING NO MORE THAN 1/4" OUT OF PARALLEL.
4. PRODUCT ALSO OFFERED GALVANIZED.
5. THIS DOCUMENT IS MEANT TO SERVE AS A GENERAL DESCRIPTION FOR THE PRODUCTS SHOWN FOR SUBMITTAL PURPOSES. MORE DETAILED MANUFACTURING DRAWINGS ARE AVAILABLE UPON REQUEST.

**FOUNDATION
SUPPORTWORKS®**

12330 Cary Circle, Omaha, NE 68128
 Phone: 800-281-8545

All Dimensions Inches

Part #: Date: 10/18/11
SD-HA-11002
 Title:
 HA175 Helical Anchor Assembly
 Revision: 0 Sheet: 1 of 2

HA175 HELICAL LEADS

PRODUCT NUMBER	TYP. STOCK ITEM	SHAFT LENGTH ±0.13	HELIX PLATE #1 DIAMETER	HELIX PLATE #2 DIAMETER	HELIX PLATE #3 DIAMETER	HELIX PLATE #4 DIAMETER	"A" DIM ±0.13	"B" DIM ±0.13	"C" DIM ±0.13
HA175L0H802-3850	✓	120.00	8.00	10.00	12.00	-	24.00	30.00	-
HA175L0H024-3850	✓	120.00	10.00	12.00	14.00	-	30.00	36.00	-
HA175L0H8024-3850		120.00	8.00	10.00	12.00	14.00	24.00	30.00	36.00
HA175L0H0244-3850		120.00	10.00	12.00	14.00	14.00	30.00	36.00	42.00
HA175L7H0-3850		84.00	10.00	-	-	-	-	-	-
HA175L7H2-3850		84.00	12.00	-	-	-	-	-	-
HA175L7H4-3850		84.00	14.00	-	-	-	-	-	-
HA175L7H80-3850		84.00	8.00	10.00	-	-	24.00	-	-
HA175L7H02-3850	✓	84.00	10.00	12.00	-	-	30.00	-	-
HA175L7H24-3850		84.00	12.00	14.00	-	-	36.00	-	-
HA175L7H802-3850	✓	84.00	8.00	10.00	12.00	-	24.00	30.00	-
HA175L7H024-3850	✓	84.00	10.00	12.00	14.00	-	30.00	36.00	-
HA175L5H8-3850		60.00	8.00	-	-	-	-	-	-
HA175L5H0-3850		60.00	10.00	-	-	-	-	-	-
HA175L5H2-3850		60.00	12.00	-	-	-	-	-	-
HA175L5H4-3850		60.00	14.00	-	-	-	-	-	-
HA175L5H80-3850		60.00	8.00	10.00	-	-	24.00	-	-
HA175L5H02-3850		60.00	10.00	12.00	-	-	30.00	-	-
HA175L5H24-3850		60.00	12.00	14.00	-	-	36.00	-	-
HA175L1H8-3850	✓	12.00	8.00	-	-	-	-	-	-
HA175L1H0-3850		12.00	10.00	-	-	-	-	-	-
HA175L1H2-3850		12.00	12.00	-	-	-	-	-	-
HA175L1H4-3850	✓	12.00	14.00	-	-	-	-	-	-

HA175 HELICAL LEADS

HA175 HELICAL EXTENSIONS

PRODUCT NUMBER	TYP. STOCK ITEM	OVERALL LENGTH ±0.13	HOLE/HOLE LENGTH ±0.13	HELIX PLATE #1 DIAMETER	HELIX PLATE #2 DIAMETER	"A" DIM ±0.13	"B" DIM ±0.13
HA175E0	✓	124.38	120.00	-	-	-	-
HA175E7		88.38	84.00	-	-	-	-
HA175E7H44-3850	✓	88.38	84.00	14.00	14.00	27.63	42.00
HA175E5	✓	64.38	60.00	-	-	-	-
HA175E5H4-3850	✓	64.38	60.00	14.00	-	27.63	-
HA175E3	✓	40.38	36.00	-	-	-	-
HA175E3H4-3850	✓	40.38	36.00	14.00	-	27.63	-

HA175 HELICAL EXTENSIONS



12330 Cary Circle, Omaha, NE 68128
Phone: 800-281-8545

All Dimensions Inches

Part #:

Date: 10/18/11

SD-HA-11002

Title:

HA175 Helical Anchor Assembly

Revision: 0

Sheet: 2 of 2