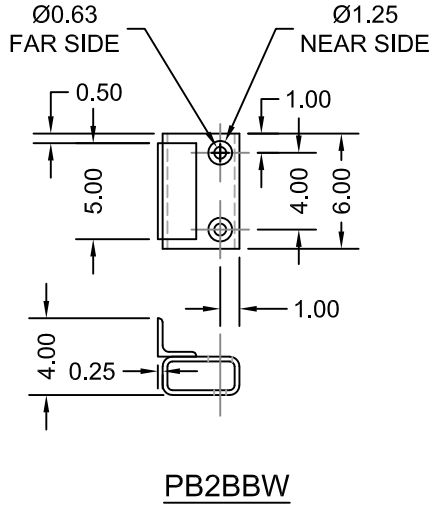
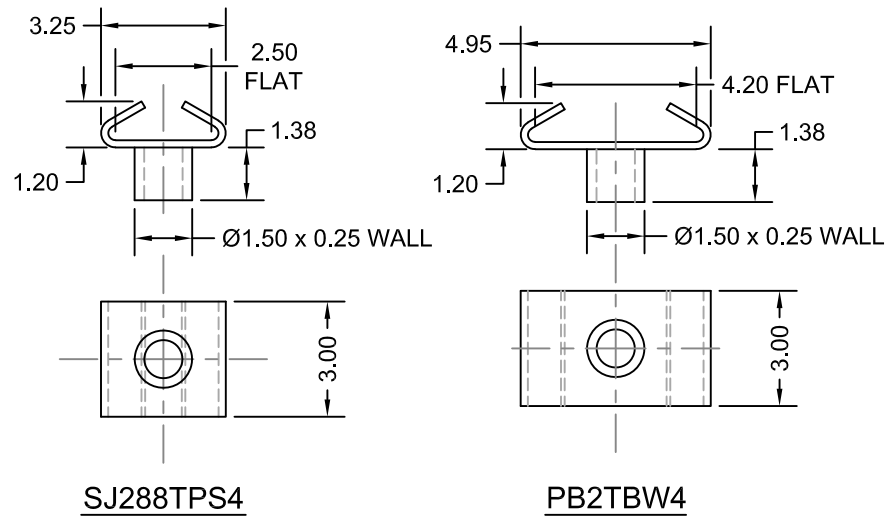


| PART NO. | LENGTH |
|----------|--------|
| PBB-8    | 96.00  |
| PBB-9    | 108.00 |
| PBB-10   | 120.00 |
| PBBW4-8  | 96.00  |
| PBBW4-9  | 108.00 |
| PBBW4-10 | 120.00 |



**NOTES:**

- MINIMUM MATERIAL REQUIREMENTS:  
 BEAMS -  $F_y = 50$  ksi,  $F_u = 65$  ksi  
 PLATES - ASTM A36  
 T-NUT - ASTM A572  
 PIPES - ASTM A53
- ALL WELDING TO BE IN ACCORDANCE WITH AWS D1.1 LATEST ISSUE WITH E70-XX MIN ELECTRODE.
- THIS DOCUMENT IS MEANT TO SERVE AS A GENERAL DESCRIPTION FOR THE PRODUCTS SHOWN FOR SUBMITTAL PURPOSES. MORE DETAILED MANUFACTURING DRAWINGS ARE AVAILABLE UPON REQUEST.

Document #: **AR-PB2BBW**  
 Title: **Assembly - PowerBrace Alternate Bottom Bracket**  
 Revision: **1**

Date: 12/20/18  
 Sheet: 1 of 1

All dimensions are in inches and are for reference only.  
 Scale: NONE  
 DO NOT SCALE DRAWING

**Supportworks.**  
 11850 Valley Ridge Drive, Papillion, NE 68046  
 Phone: 800-281-8545  
 © SUPPORTWORKS®, INC.