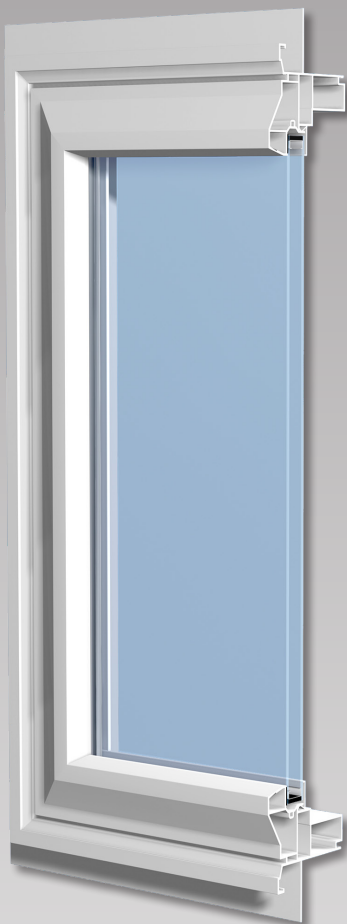
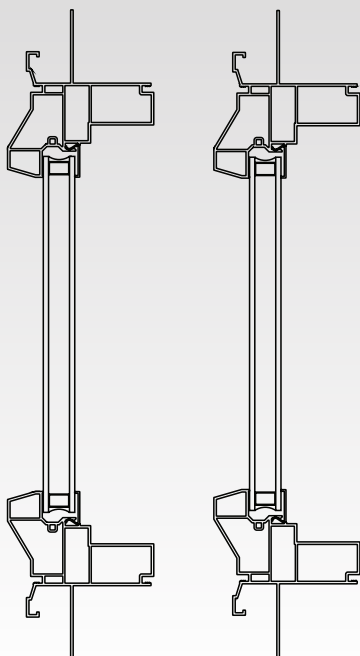


CAD MODEL



ASSEMBLY DRAWING



Custom Vinyl Products, LLC
 Window & Door

www.customvinyl.net

Locally Owned & Operated
 Products Certified 100% Lead Free

FEATURES and BENEFITS

- All welded frame
- 3-1/4" frame width ideal for replacement installations
- Integral Nail Fin and J Channel
- J channel designed with Brick Mold accents
- Integral Flush Flange
- Aesthetically pleasing exterior frame design
- Full complement of accessory profiles
- Maximum glass thickness of 3/4"
- Multi chambered vinyl profiles for thermal efficiency
- DP50 performance levels
- Full Family of products (Hung, Slider, and Picture window(s))

MANUFACTURING LIMITATIONS

BASELINE PERFORMANCE

Thermal Insulation

GLASS	Uc Value	R Value	SHGC
LoE 270	0.28	3.57	.23
LoE 366	0.27	3.70	.17
LoE 366 w/i89	0.24	4.17	.17

Structural Performance

Air Infiltration @ 25 mph	0.30 cfm/ft ²
Water Penetration	7.50 psf
Uniform Loads	+/-75.00 psf

AAMA RATING:R-PG50-FW 72 x 72

